

## MKDSN 1,5/ 9-5,08

Order No.: 1729199

The figure shows a 10-position version of the product

<http://eshop.phoenixcontact.de/phoenix/treeViewClick.do?UID=1729199>

Printed circuit terminal block, nominal current: 13.5 A, rated voltage: 250 V, pitch: 5.08 mm, no. of positions: 9, mounting: Soldering, type of connection: Screw connection, connection direction from the conductor to the PCB: 0°

### Commercial data

|                          |                   |
|--------------------------|-------------------|
| EAN                      | 4017918026066     |
| Pack                     | 50 Pcs.           |
| Customs tariff           | 85369010          |
| Weight/Piece             | 0.008567 KG       |
| Catalog page information | Page 53 (CC-2007) |

### Product notes

WEEE/RoHS-compliant since:  
01/01/2003

<http://www.download.phoenixcontact.com>  
Please note that the data given here has been taken from the online catalog. For comprehensive information and data, please refer to the user documentation. The General Terms and Conditions of Use apply to Internet downloads.

### Technical data

#### Dimensions / positions

|                     |          |
|---------------------|----------|
| Pitch               | 5.08 mm  |
| Dimension a         | 40.64 mm |
| Number of positions | 9        |

|                        |            |
|------------------------|------------|
| Pin dimensions         | 0,5 x 1 mm |
| Hole diameter          | 1.3 mm     |
| Screw thread           | M 3        |
| Tightening torque, min | 0.5 Nm     |

**Technical data**

|                                    |                     |
|------------------------------------|---------------------|
| Insulating material group          | I                   |
| Rated surge voltage (III/3)        | 4 kV                |
| Rated surge voltage (III/2)        | 4 kV                |
| Rated surge voltage (II/2)         | 4 kV                |
| Rated voltage (III/2)              | 400 V               |
| Rated voltage (II/2)               | 630 V               |
| Connection in acc. with standard   | EN-VDE              |
| Nominal current $I_N$              | 13.5 A              |
| Nominal voltage $U_N$              | 250 V               |
| Nominal cross section              | 1.5 mm <sup>2</sup> |
| Maximum load current               | 13.5 A              |
| Insulating material                | PA                  |
| Inflammability class acc. to UL 94 | V0                  |
| Internal cylindrical gage          | A1                  |
| Stripping length                   | 6 mm                |

**Connection data**

|  |                      |
|--|----------------------|
| Conductor cross section solid min.   | 0.14 mm <sup>2</sup> |
| Conductor cross section solid max.   | 1.5 mm <sup>2</sup>  |
| Conductor cross section stranded min.                                      | 0.14 mm <sup>2</sup> |
| Conductor cross section stranded max.                                      | 1.5 mm <sup>2</sup>  |
| Conductor cross section stranded, with ferrule without plastic sleeve min. | 0.25 mm <sup>2</sup> |
| Conductor cross section stranded, with ferrule without plastic sleeve max. | 1.5 mm <sup>2</sup>  |
| Conductor cross section stranded, with ferrule with plastic sleeve min.    | 0.25 mm <sup>2</sup> |
| Conductor cross section stranded, with ferrule with plastic sleeve max.    | 1.5 mm <sup>2</sup>  |
| Conductor cross section AWG/kcmil min.                                     | 26                   |
| Conductor cross section AWG/kcmil max                                      | 16                   |

|   |                      |
|---|----------------------|
| 2 conductors with same cross section, solid min.  | 0.14 mm <sup>2</sup> |
| 2 conductors with same cross section, solid max.  | 0.75 mm <sup>2</sup> |
| 2 conductors with same cross section, stranded min.                                     | 0.14 mm <sup>2</sup> |
| 2 conductors with same cross section, stranded max.                                     | 0.75 mm <sup>2</sup> |
| 2 conductors with same cross section, stranded, ferrules without plastic sleeve, min.   | 0.25 mm <sup>2</sup> |
| 2 conductors with same cross section, stranded, ferrules without plastic sleeve, max.   | 0.5 mm <sup>2</sup>  |
| 2 conductors with same cross section, stranded, TWIN ferrules with plastic sleeve, min. | 0.5 mm <sup>2</sup>  |
| 2 conductors with same cross section, stranded, TWIN ferrules with plastic sleeve, max. | 1 mm <sup>2</sup>    |

### Certificates / Approvals



#### CSA

|                                |       |
|--------------------------------|-------|
| Nominal voltage U <sub>N</sub> | 300 V |
| Nominal current I <sub>N</sub> | 10 A  |
| AWG/kcmil                      | 28-14 |

#### CUL

|                                |       |
|--------------------------------|-------|
| Nominal voltage U <sub>N</sub> | 300 V |
| Nominal current I <sub>N</sub> | 10 A  |
| AWG/kcmil                      | 30-14 |

#### UL

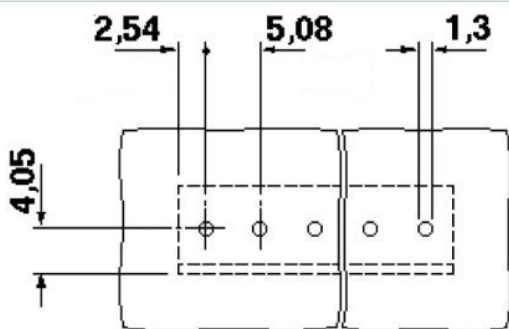
|                                |                                      |
|--------------------------------|--------------------------------------|
| Nominal voltage U <sub>N</sub> | 300 V                                |
| Nominal current I <sub>N</sub> | 10 A                                 |
| AWG/kcmil                      | 30-14                                |
| Certification                  | CB, CCA, CSA, CUL, GL, GOST, SEV, UL |

### Accessories

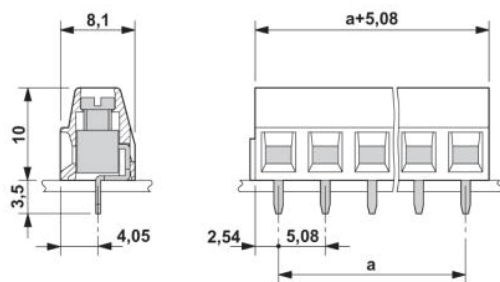
| Item           | Designation              | Description   |
|----------------|--------------------------|---|
| <b>Marking</b> |                          |   |
| 1051993        | B-STIFT                  | Marker pen, for manual labeling of unprinted Zack strips, smear-proof and waterproof, line thickness 0.5 mm   |
| 0804293        | SK 5,08/3,8:FORTL.ZAHLEN | Marker card, printed horizontally, self-adhesive, 12 identical decades marked 1-10, 11-20 etc. up to 91-(99)100, sufficient for 120 terminal blocks                         |
| 0805085        | SK 5,08/3,8:SO           | Marker card, special printing, self-adhesive, labeled acc. to customer requirements, 12 identical marker strips per card, max. 25-position labeling per strip, color: white |
| 0805412        | SK 5,08/3,8:UNBEDRUCKT   | Marker cards, unprinted, with pitch divisions, self-adhesive, 10-section marker strips, 12 strips per card, can be labeled with the M-PEN                                   |
| <b>Tools</b>   |                          |   |
| 1205053        | SZS 0,6X3,5              | Screwdriver, bladed, matches all screw terminal blocks up to 4.0 mm <sup>2</sup> connection cross section, blade: 0.6 x 3.5 mm, without VDE approval                        |

### Drawings

Drilling diagram



Dimensioned drawing



**Address**

PHOENIX CONTACT Inc., USA  
586 Fulling Mill Road  
Middletown, PA 17057, USA  
Phone (800) 888-7388  
Fax (717) 944-1625  
<http://www.phoenixcon.com>



© 2008 Phoenix Contact  
Technical modifications reserved;